

Objective: To provide directions on how to perform a media player swap on a Coates Outdoor Menu Board (ODMB).

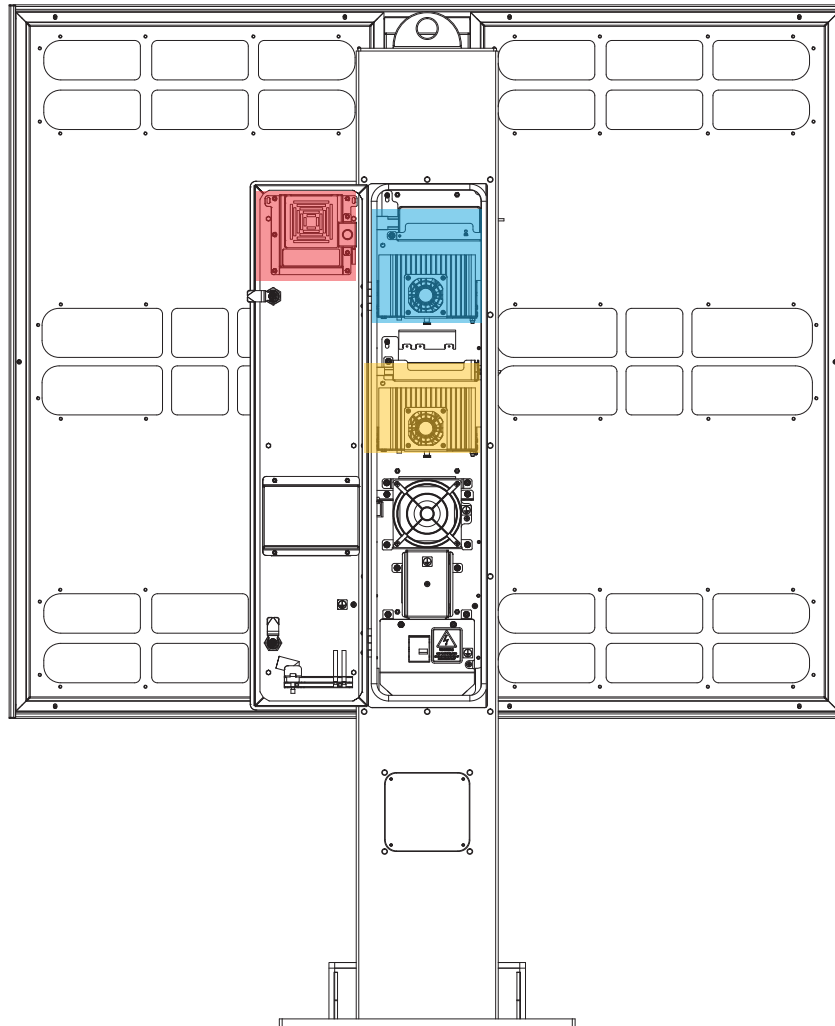
Important: If any issues arise during installation, please use the support information below to contact Coates and Persona Triangle project management. It is imperative that *once the installation begins, you do not leave the site until the installation is complete, you receive a release code from Coates, and you check in with your Persona project manager.*

- Support phone numbers
 - Coates Support 312-361-8758 or 800-385-1430
 - Coates Deployment 866-424-0763
 - Call for board or networking issues
 - Persona McDonald's Project Management 605-882-2244
 - Call before leaving the site and for any issues that are not resolved in a timely manner through Coates support and/or deployment
- Support chat
 - <https://coatesgroup.my.site.com/chatsupport/s/>

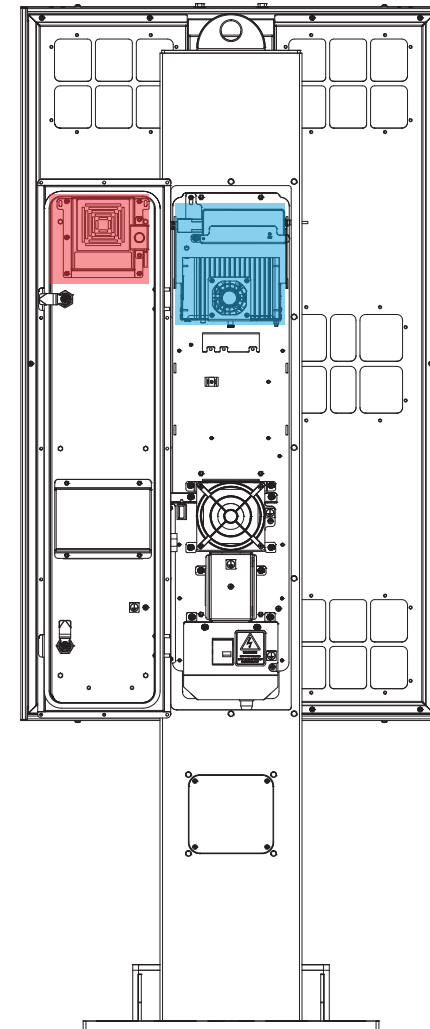
The following is a summary of the steps necessary to complete a media player swap. Detailed instructions and diagrams can be found on the pages to follow.

1. Disconnect the power in Coates O2 enclosures.
2. Disconnect cables connected to the Stratacache media players (MPs).
3. Remove Stratacache media players (MPs), media player power supply units (PSUs), MP brackets, and PSU brackets.
4. Install Coates MP bracket and PSU brackets.
5. Install Coates MPs and PSUs.
6. Install an exhaust fan and fan bracket on the door.
7. Connect MPs to existing HDMI cables and network cables.
8. Power on the unit.
9. Confirm the MP identifier is shown on the screen.
10. Call Coates Support to provision the MPs and receive a release code.

Double Version



Single Version



NOTE: The Reardoor opening angle shown is for convenience display only; The actual door opening angle is about 90°

Table of Contents

Tools List

Section 1 General Arrangement

- 1.1 New Kit Overview
- Exhaust Fan kit
- Upper MP Kit
- Lower MP Kit

Section 2 Remove the existing cable

- 2.1 Remove the existing cable

Section 3 Remove the existing Metalwork

- 3.1 Remove the existing Air intake Kit
- 3.2 Remove the existing Upper MP Kit
- 3.3 Remove the existing lower MP Kit

Section 4 Reinstall the New Kit

- 4.1 Reinstall the new Exhaust Fan Kit
- 4.2 Reinstall the New Upper MP Kit
- 4.3 Reinstall the New Lower MP Kit

Section 5 Reset the Cable

- 5.1 Reset the cable
- 5.2 Power on and check whether the functions are normal

Section 6 Final Checklist

CHANGE LOG		
v1	Date	Description

Tools List



Electric Drill



Phillips Head Screwdriver

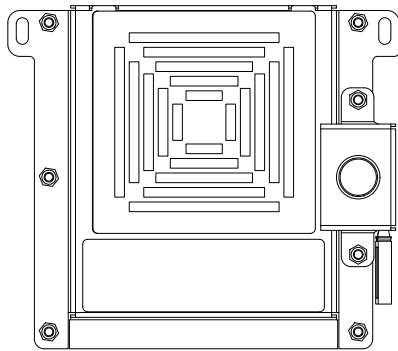


Microfiber Cloth & Cleaning Spray

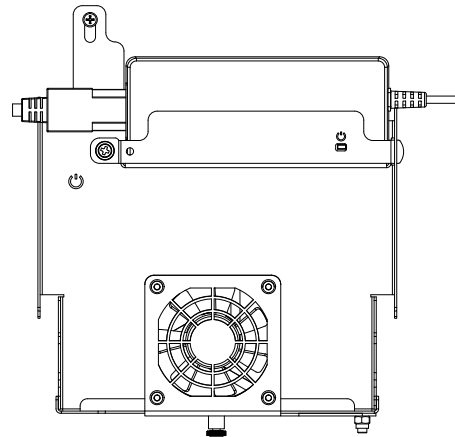


Socket Set

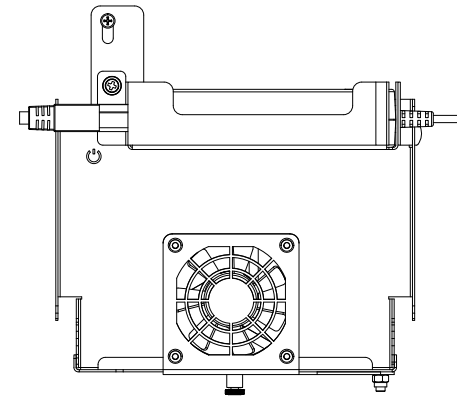
1.1 | New Kit Overview



Exhaust Fan Kit



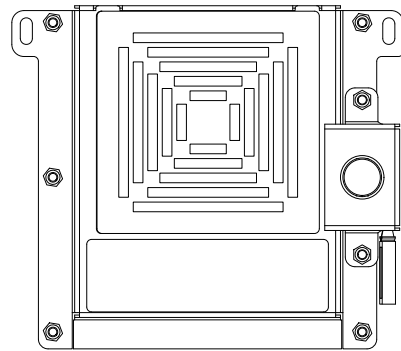
Seneca version: upper MP kit



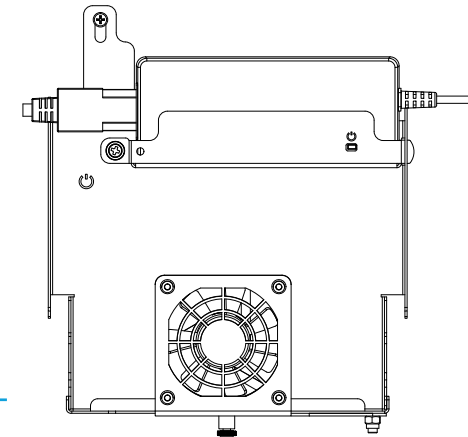
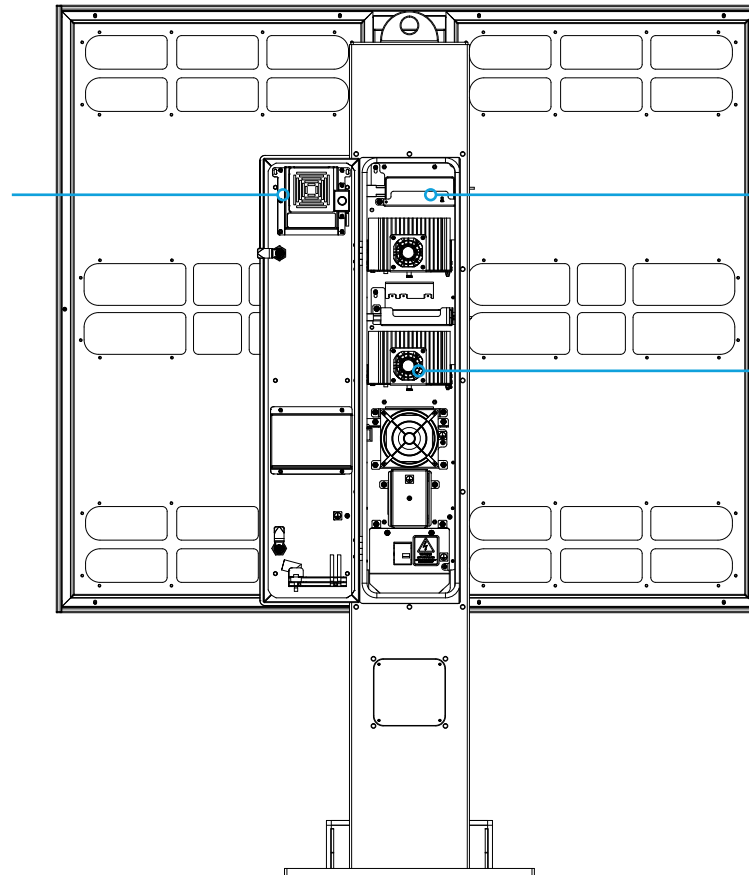
Seneca version: lower MP kit

1.1 | New Kit Overview

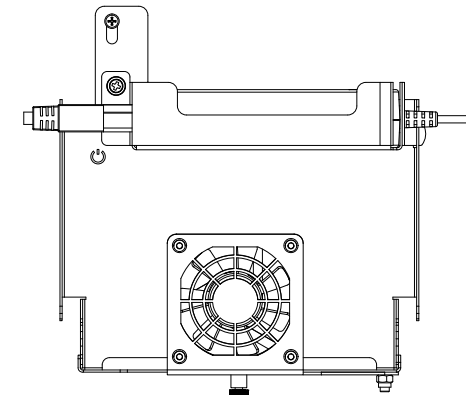
Double Version



Exhaust Fan Kit



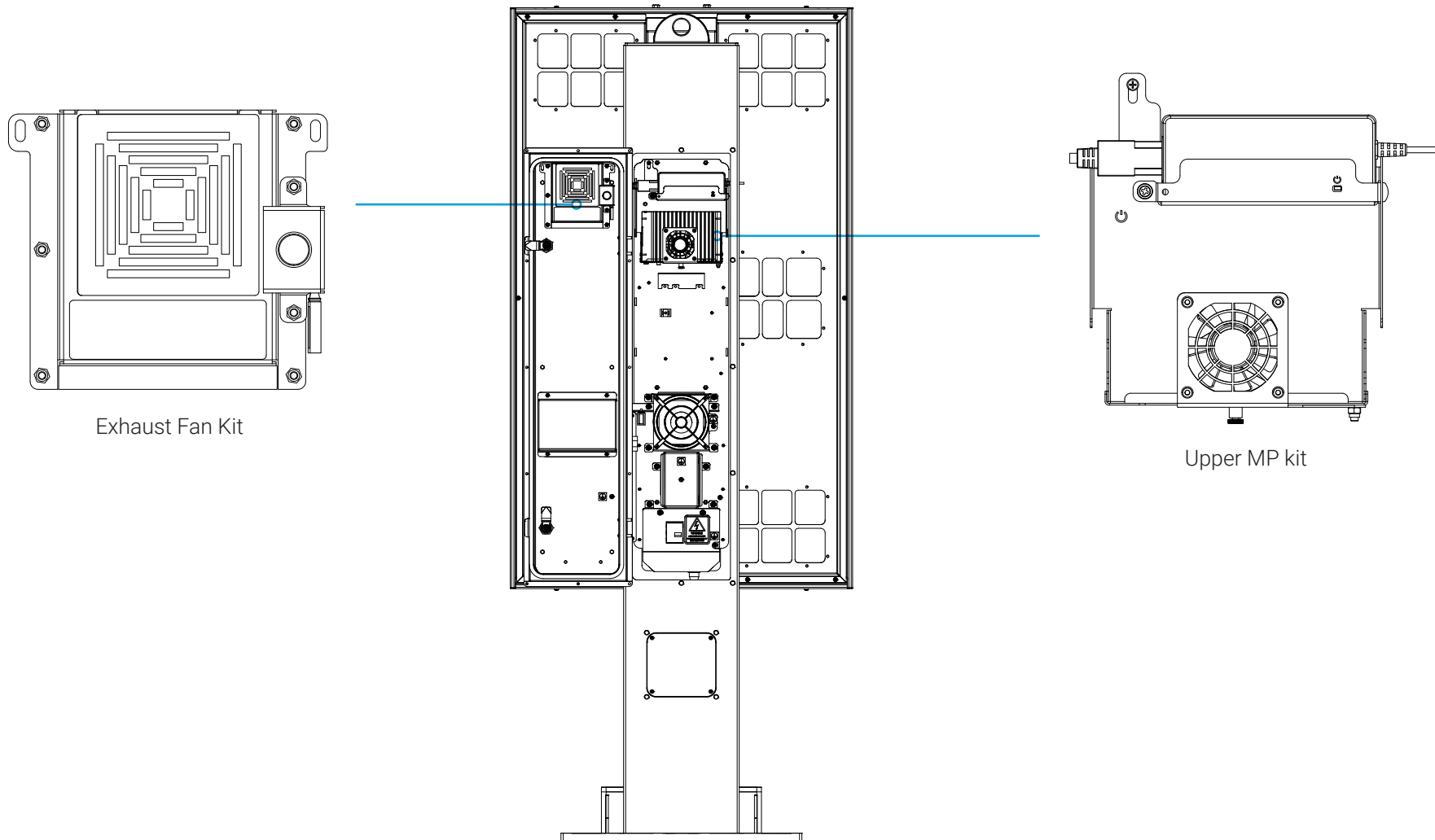
Upper MP kit



Lower MP kit

1.1 | New Kit Overview

Single Version



Exhaust Fan Kit

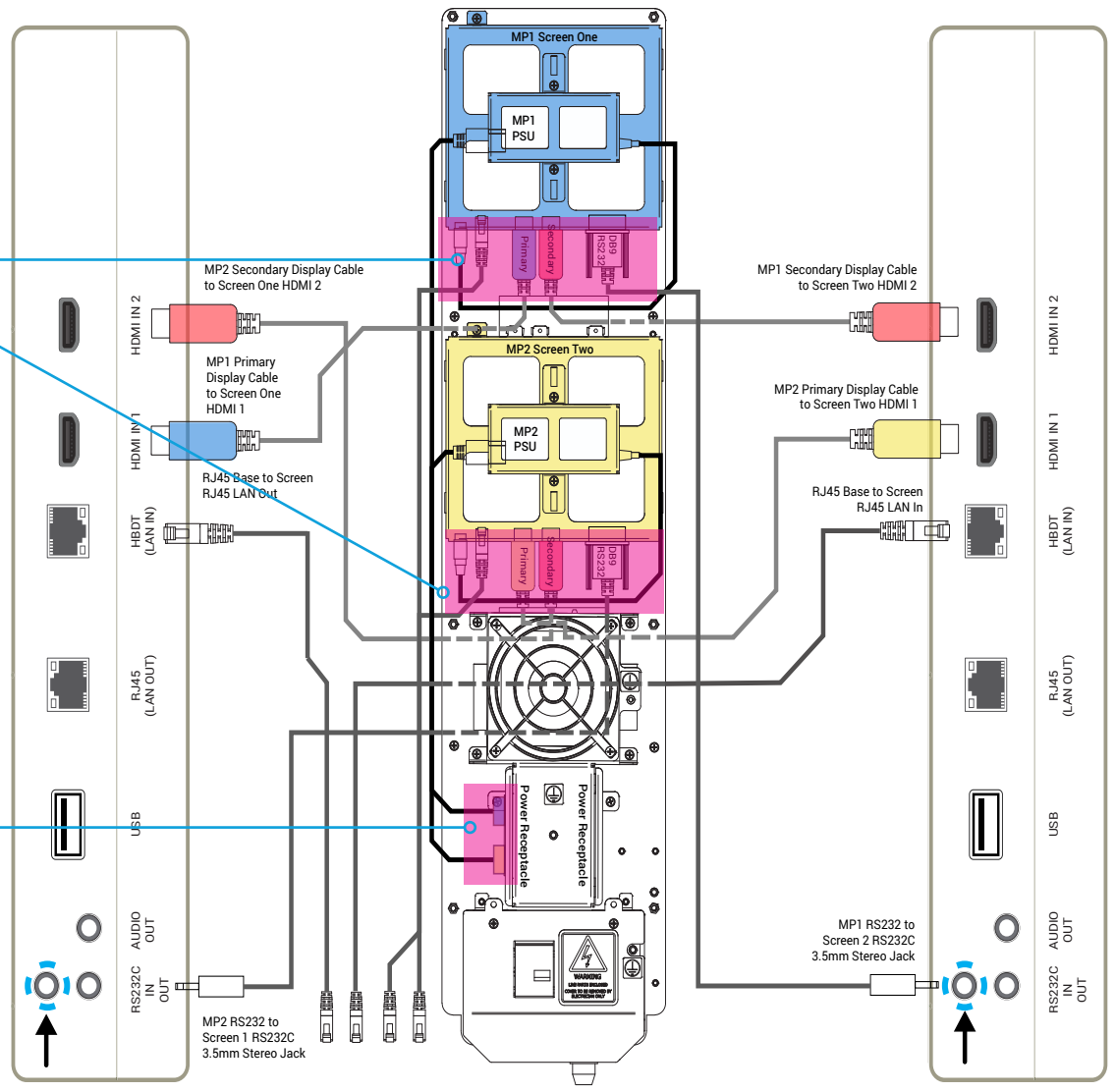
Upper MP kit

2.1 | Remove the Existing Cable

Double Version

2.1a .Unplug these connections from the MP;

2.2 b .Unplug the these two power plug.

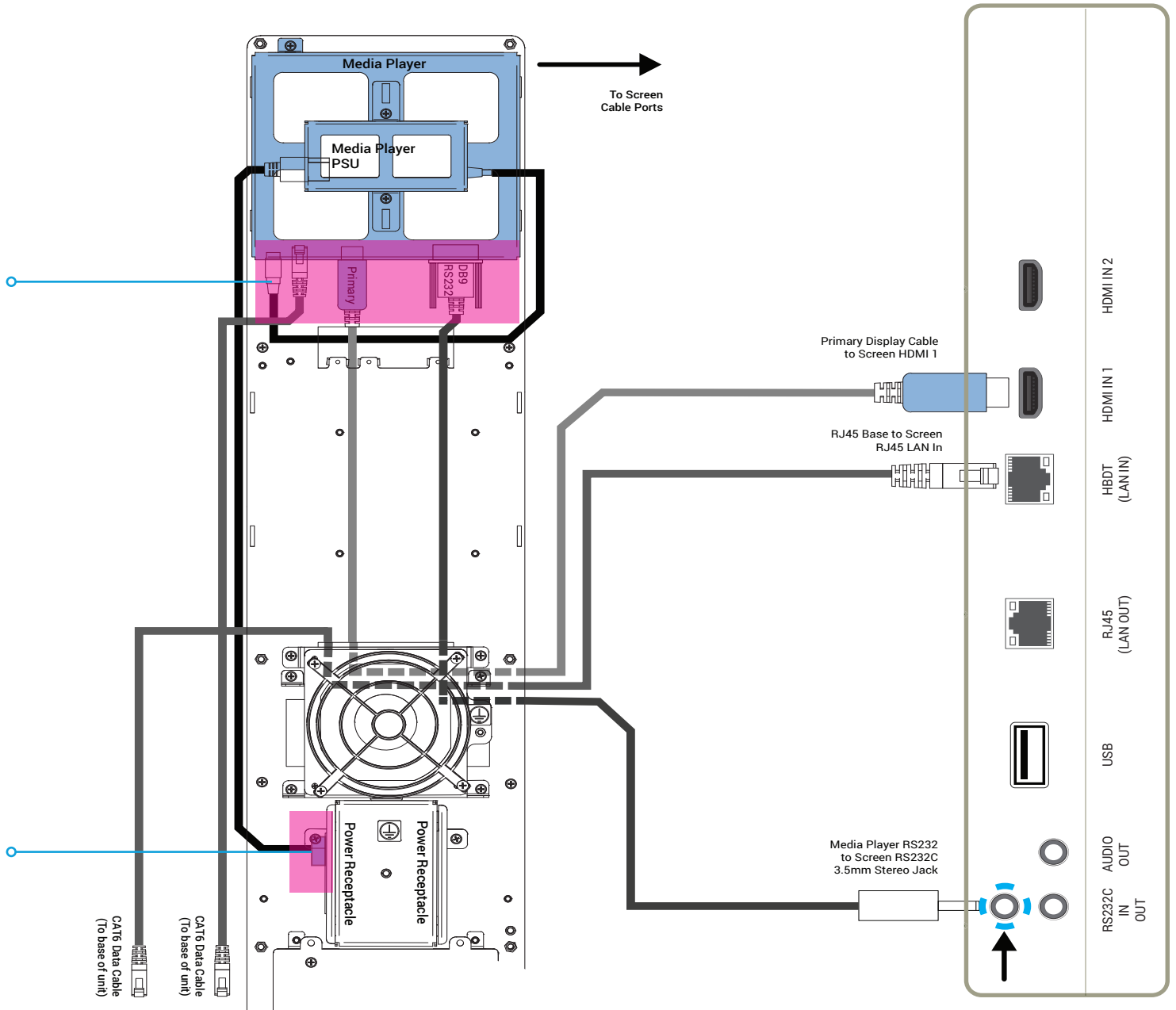


2.1 | Remove the Existing Cable

Single Version

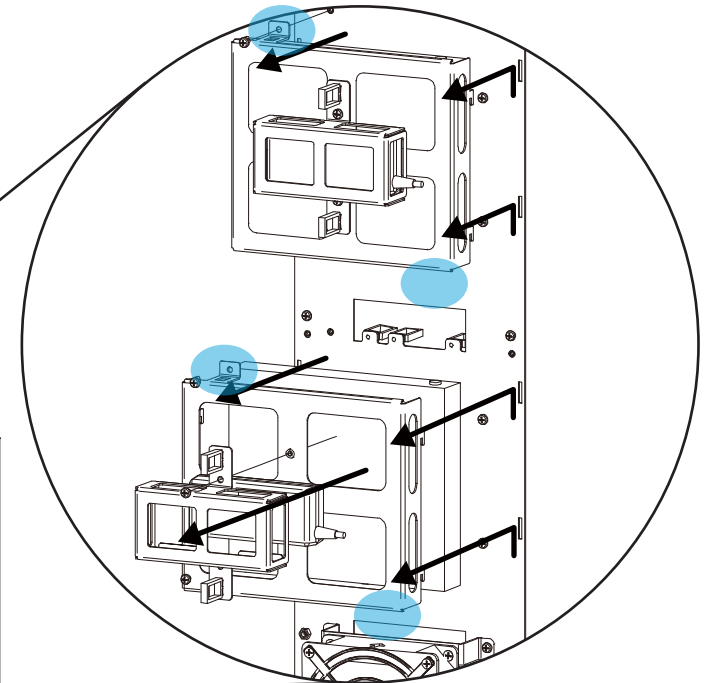
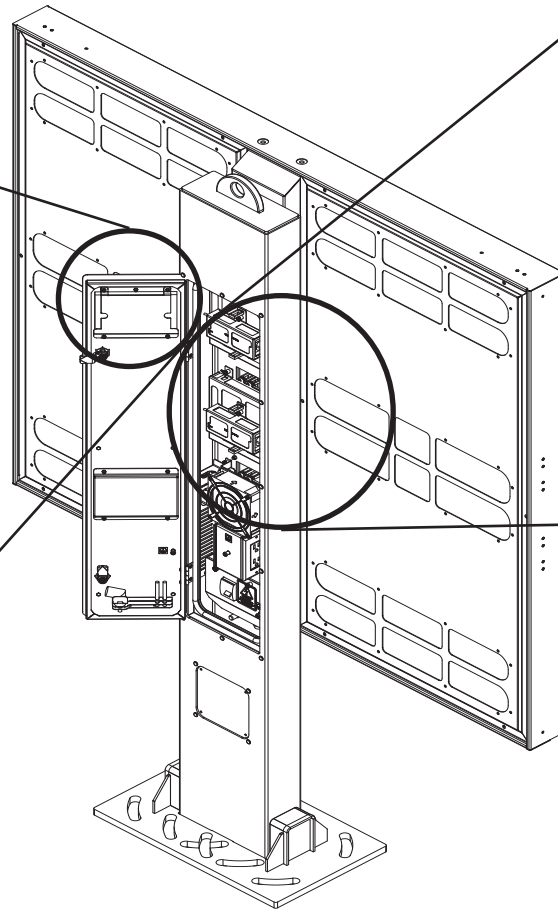
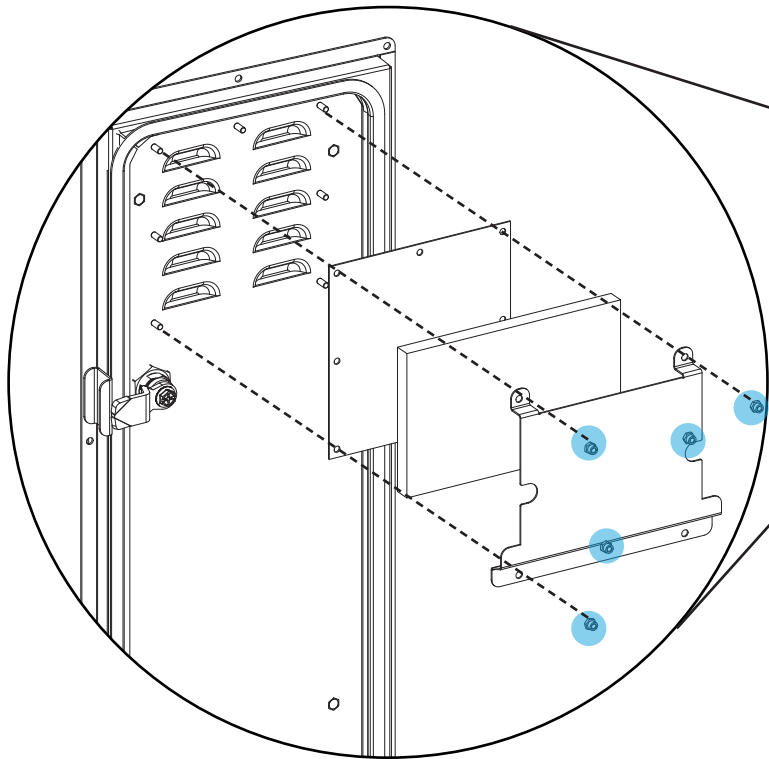
2.1a .Unplug these connections from the MP;

2.2 b .Unplug the this power plug.



3 | Remove the Existing Metalwork

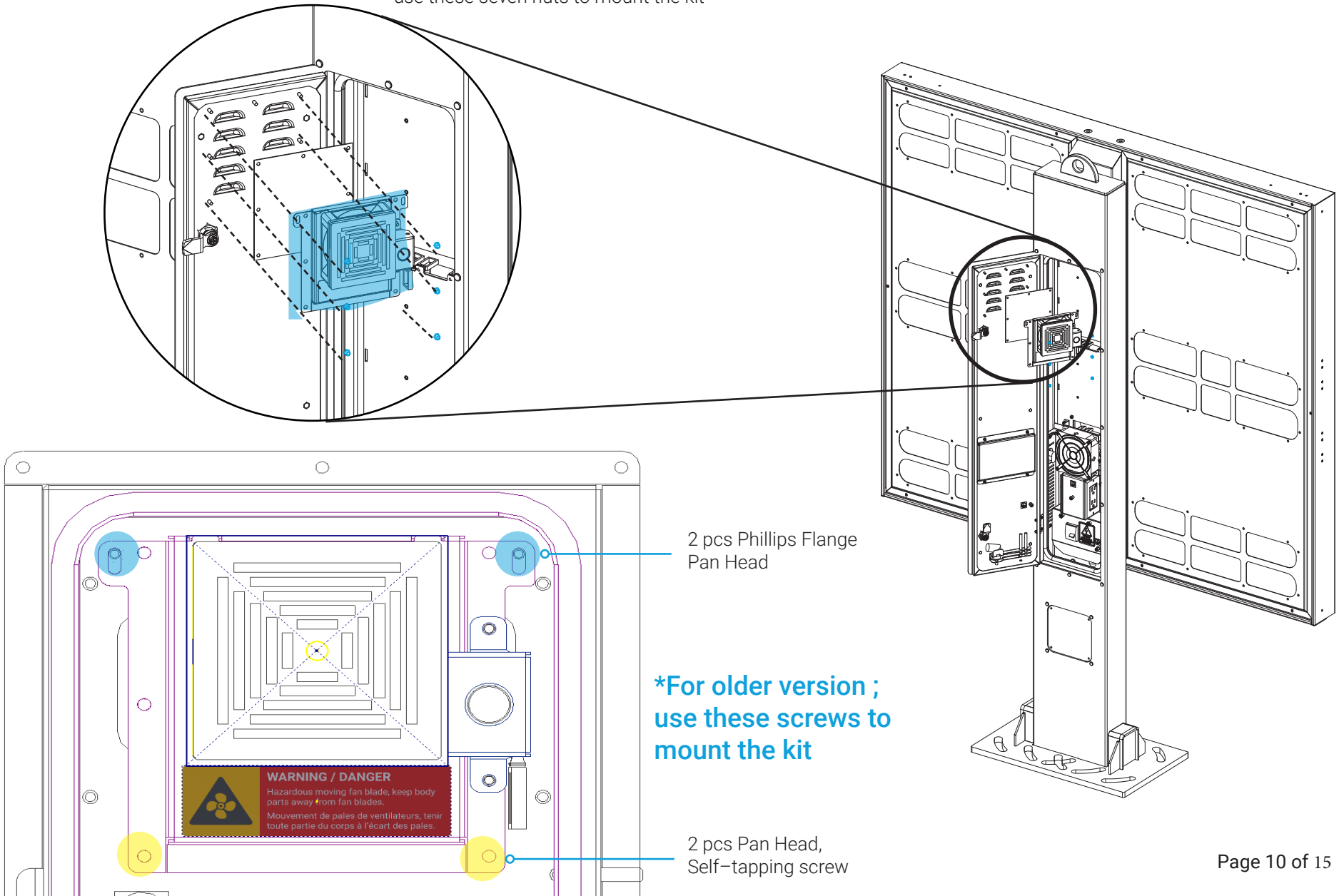
3.1 Remove the existing Air intake Kit;
Unscrew these nuts then remove these parts



3.2 & 3.3 Remove the existing MP Kit ;
Unscrew these four thumbscrew then remove
the kit as the above path.

4 | Reinstall the New kits

4.1 Reinstall th New Exhaust Fan Kit use these seven nuts to mount the kit



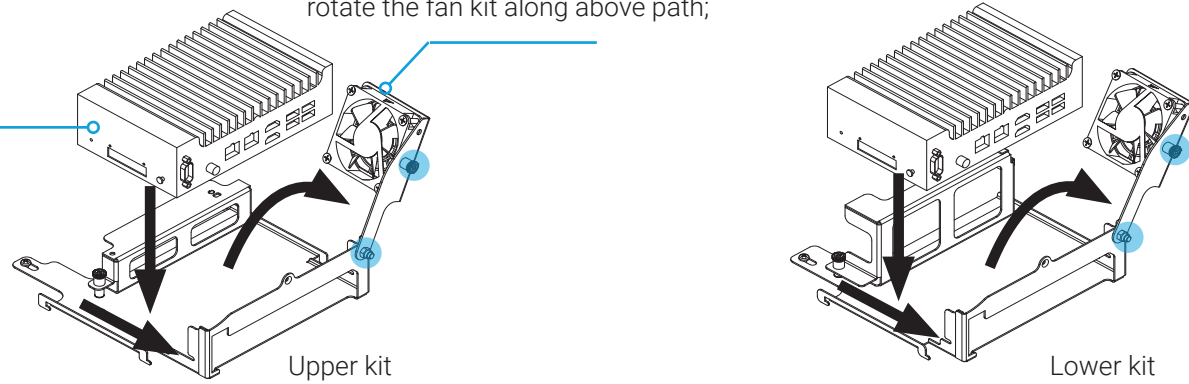
4.2 & 4.3 | Reinstall the New MP Kit

Prepare for MP Kit Installation

Seneca Version

Step b: Place the MP along above path; after that re-screw the nut and thumbscrew.

Step a: Unscrew the nut and thumbscrew; then rotate the fan kit along above path;



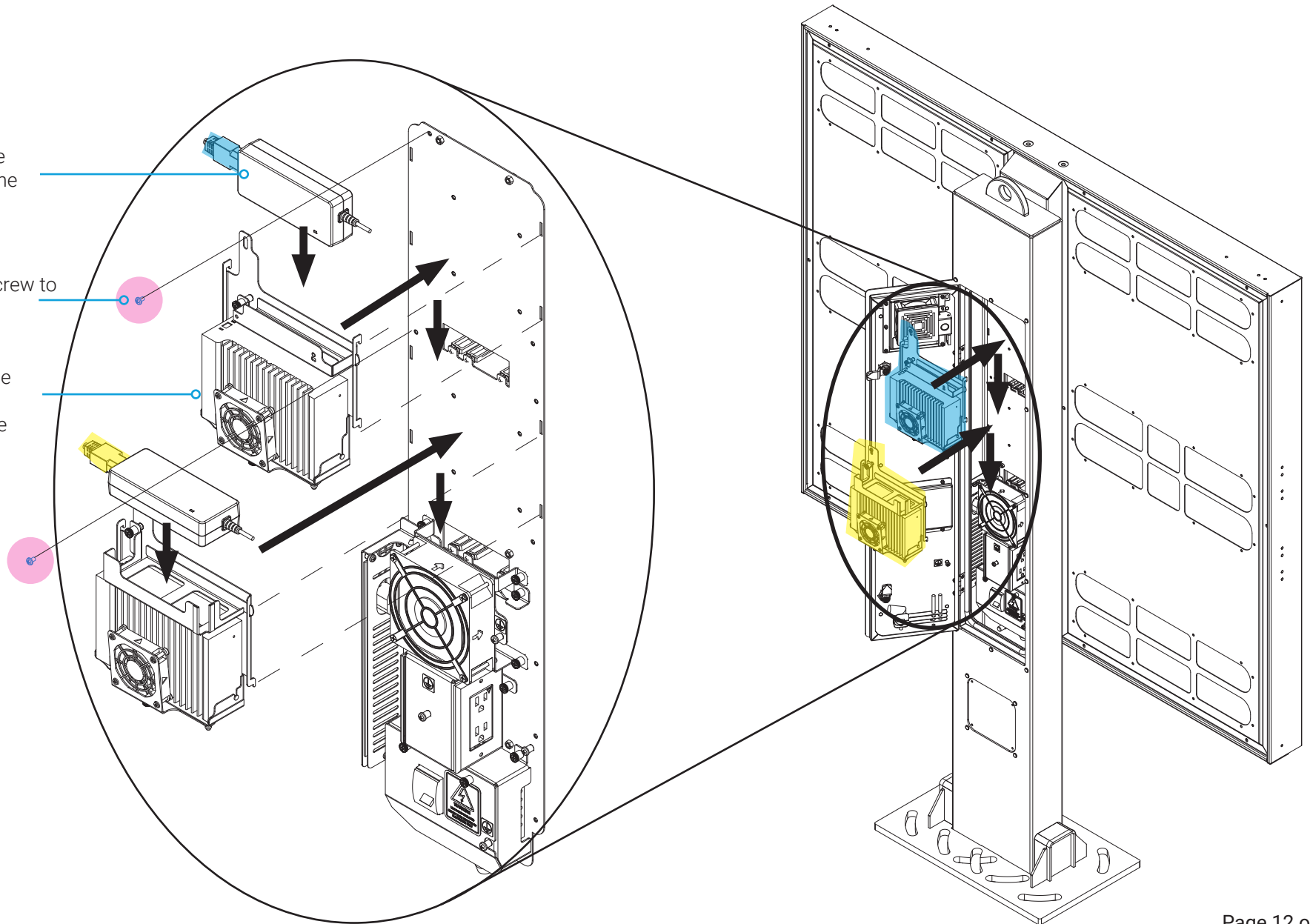
4.2 & 4.3 | Reinstall the New MP Kit

Seneca Version

Step c: Place these PSU with Plug into the bracket.

Step b: Use the screw to mount the MP Kit;

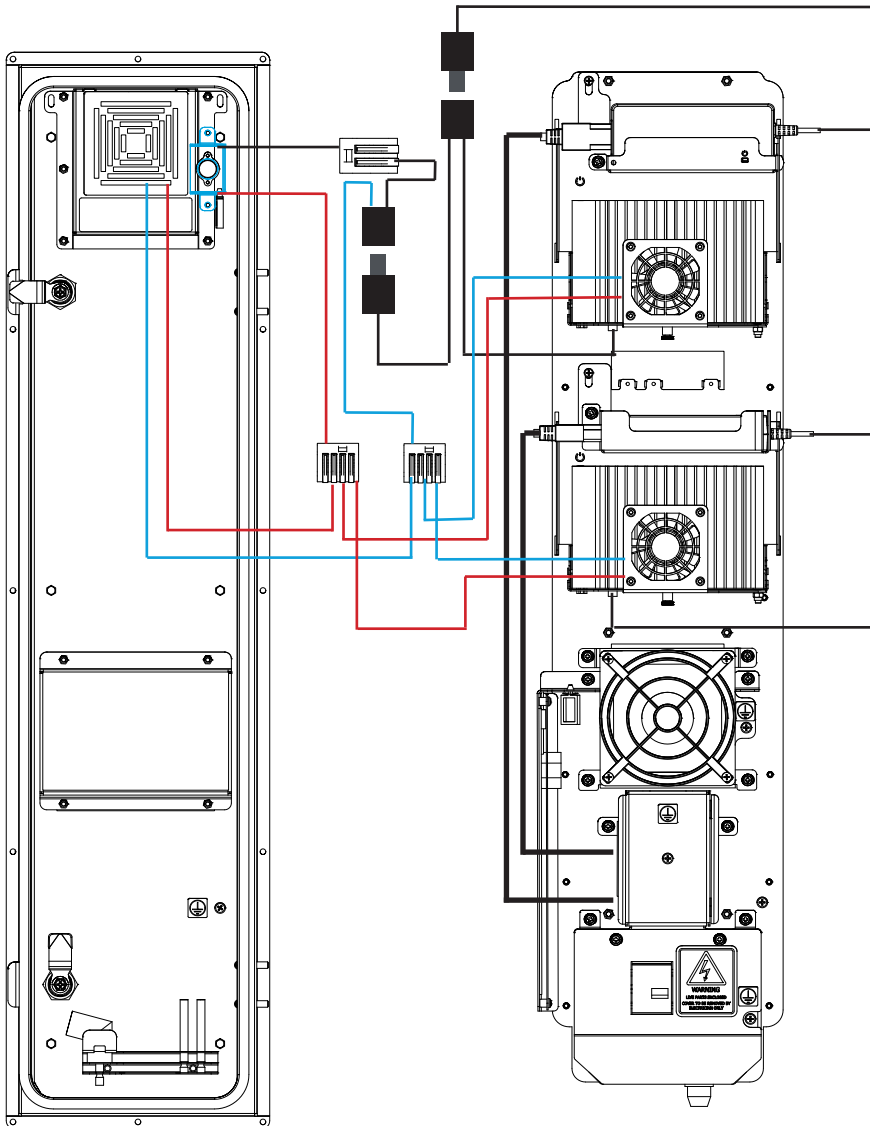
Step a: Hang these two MP kit on the base plate along the above path;



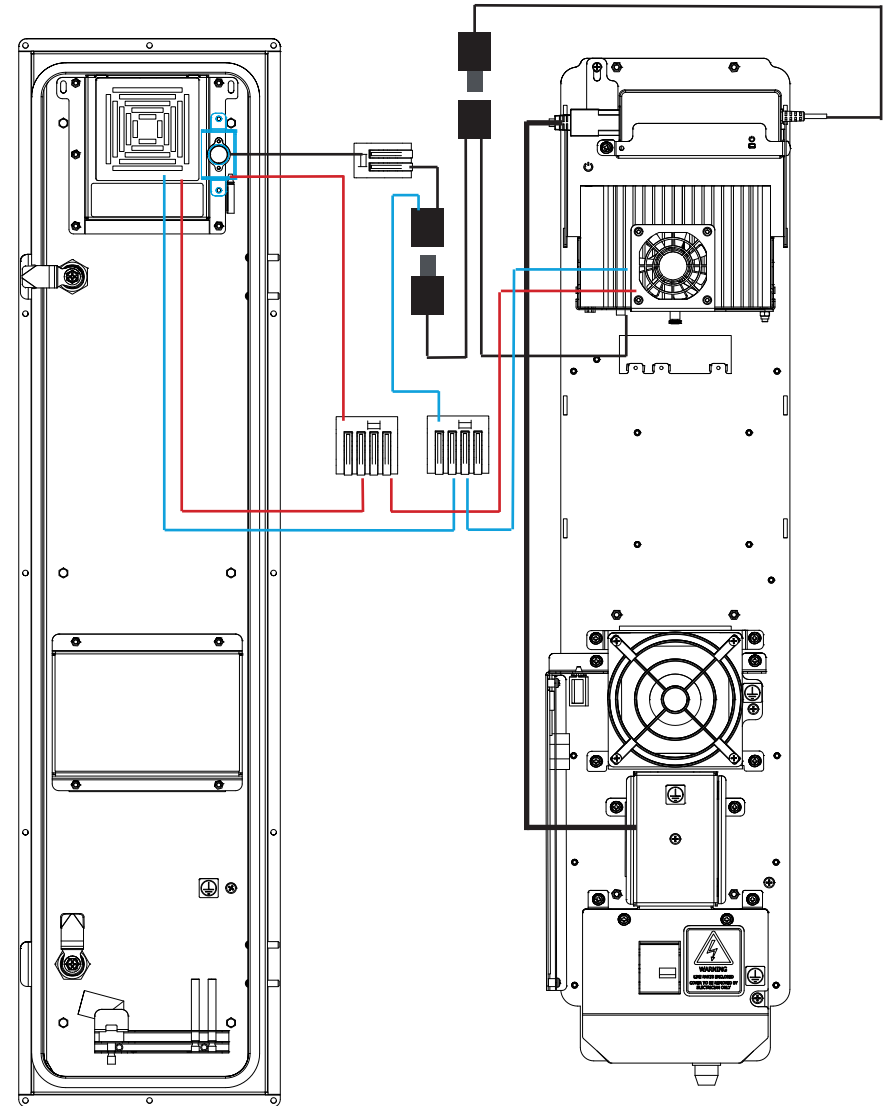
5 | Reset the Cable

Step a: Refer to the wiring diagram, reset the cables, and arrange it;

Seneca Version-Double



Seneca Version-Single



5 | Reset the Cable

MP Port Overview

Power on and check whether the functions are normal



6 | Final Checklist

- Check the unit is receiving power
- Check unit is locked
- All components functioning as expected
- Media palyers commissioned and paly content
- Unit is clean
- Packaging has been disposed of properly
-
-